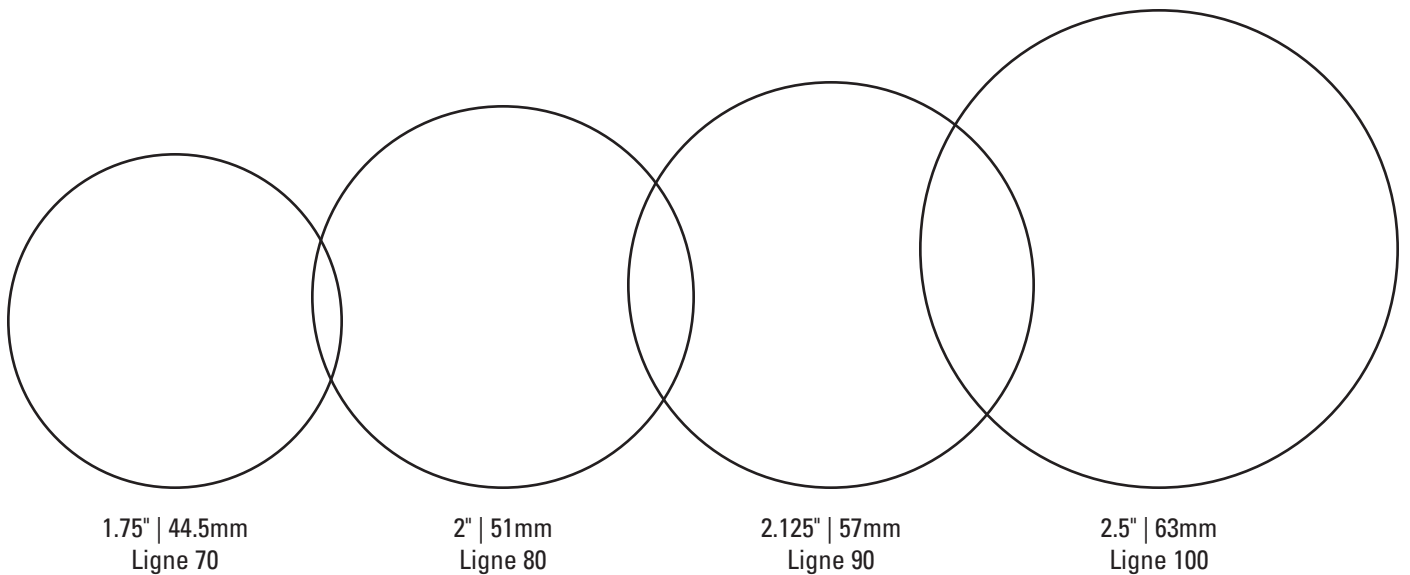
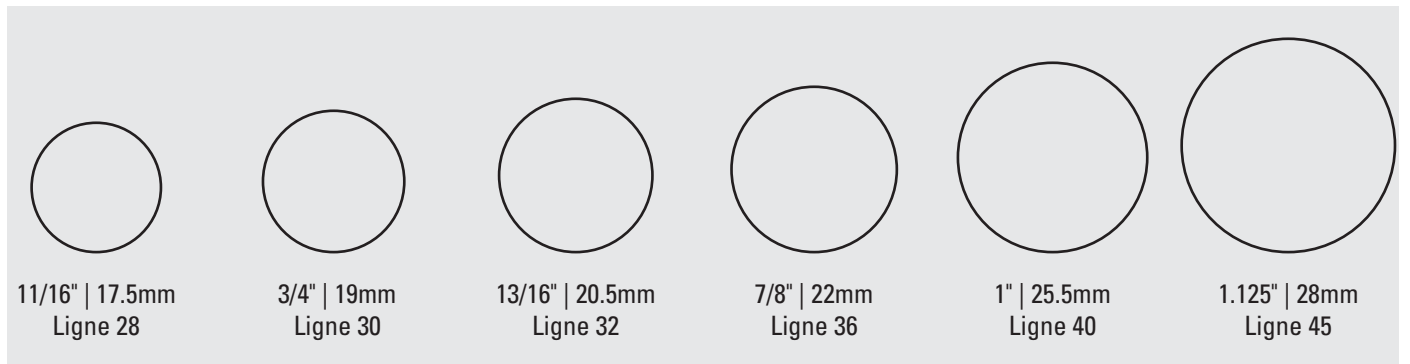
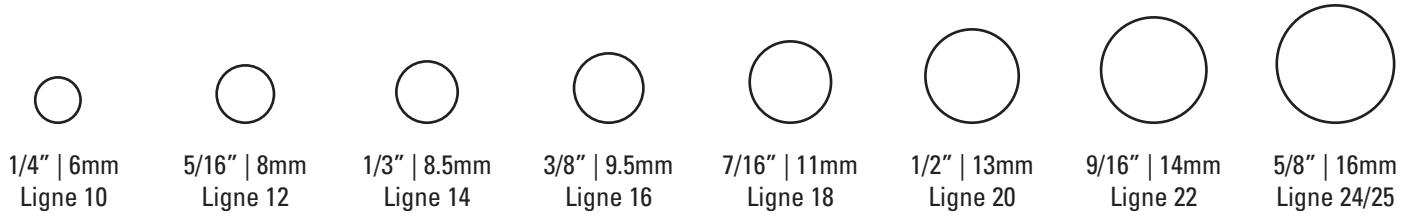


Button sizes refer to the button's diameter.

A linge, derived from the french word for line and measuring 1/40 of an inch, is the standard international unit for measuring buttons.





Male Button Set
NS-450 | NS-450A*



Female Button Set
NS-452 | NS-452A*

ARMY BUTTON SETS



Male/Female Mess Jacket
Button Set with Chain
NS-454 | NS-454Aw



Male Engineer
Button Set
NS-451



Female Engineer
Button Set
NS-453

ENGINEER BUTTON SETS



Male Engineer Mess Jacket
Button Set with Chain
NS-455



Buttons are also available individually
in the following sizes:

Army: 20L, 25L, 30L, 36L
Engineer: 20L, 25L, 30L, 36L



Mess Jacket Chain
NS-476



Button Ring
M-A08



Button Toggle
M-A09



Hopper/Eye Back Short Shank



Hap Arnold
Male Button Set
AF-450



Hap Arnold
Female Button Set
AF-452

US Air Force Honor Guard Buttons

Chrome finish Hap Arnold buttons for use on Honor Guard uniforms.

Epaulet buttons are 25L.
Jacket buttons are 36L.



Hap Arnold
25 Ligne Button
AF-450



Hap Arnold
30 Ligne Button
AF-450



Hap Arnold
36 Ligne Button
AF-450

